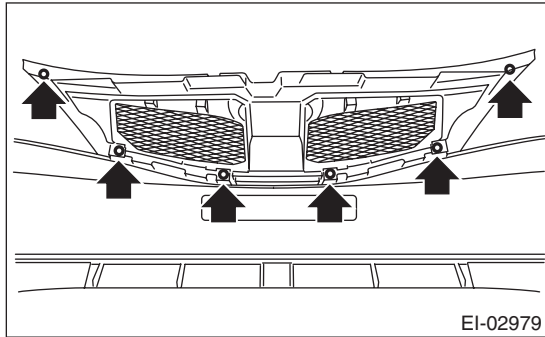


## 2. Front Grille

### A: REMOVAL

- 1) Remove the front bumper face. <Ref. to EI-31, FRONT BUMPER FACE, REMOVAL, Front Bumper.>
- 2) Remove the screws from the reverse side of the bumper face, and remove the front grille assembly.



### B: INSTALLATION

Install each part in the reverse order of removal.